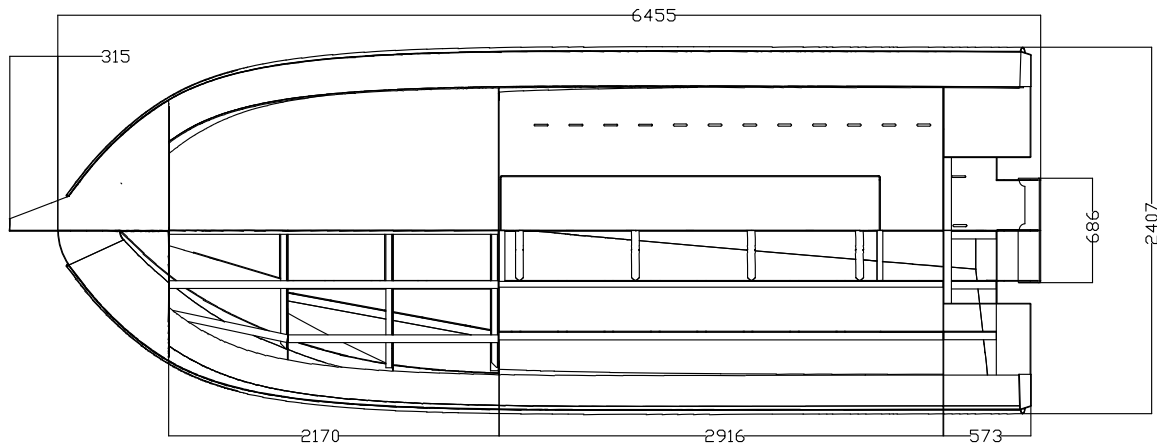
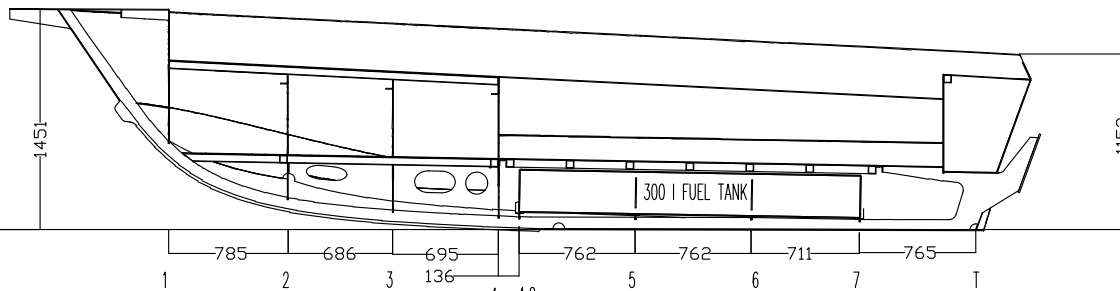


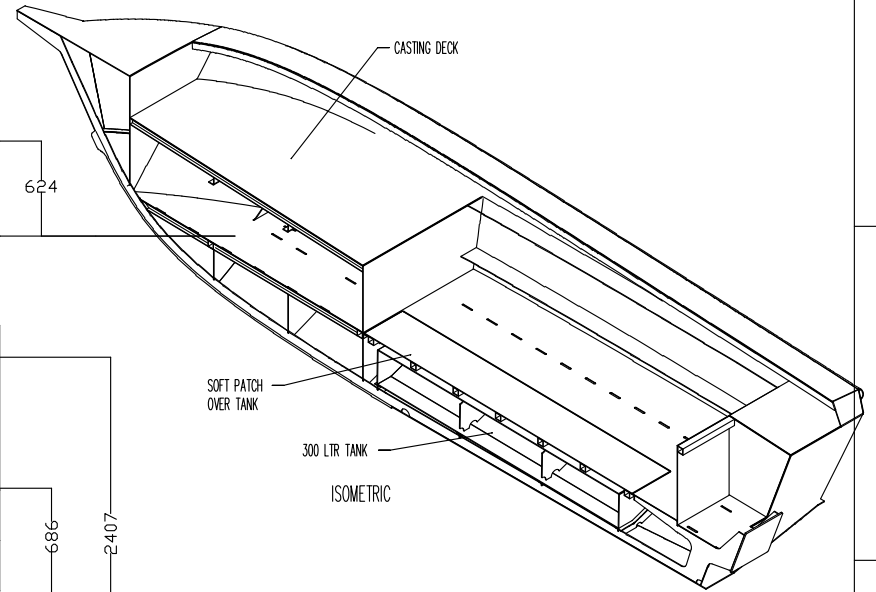
OUTBOARD PROFILE



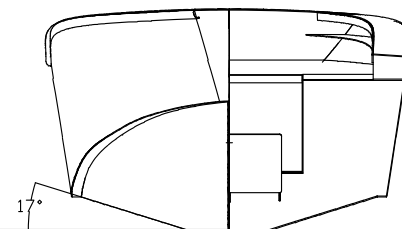
PLAN



INBOARD PROFILE




ISOMETRIC



THESE PLANS, ACCOMPANYING INSTRUCTIONS, AND/OR SPECIFICATIONS GOVERN THE FABRICATION OR CLIENT'S RECORD RIGHTS TO BUILD THE BOAT HEREON. ALL DESIGN MATERIALS REMAIN THE PROPERTY OF SPECIALTY MARINE. WHETHER WORK FOR WHICH THEY ARE MADE OR LOANED TO OR BY, AND POSSESSION OF ANY OF THESE MATERIALS DOES NOT CONSTITUTE WARRANTY FOR CONSTRUCTION. REPRODUCTION OR SIMILARITY OF ANY MATERIAL HEREON IN ANY FORM IS A VIOLATION OF COPYRIGHT LAWS, AUTHORIZED WITH WRITTEN PERMISSION FROM SPECIALTY MARINE.

© COPYRIGHT

10/3/2017

**SPECIALTY MARINE** 

PO Box 1081, Scappoose, OR, 97058

**SPECMAR AUSSIE 6455 # 2374**

SIZE: FSCM NO.	DWG NO. 2374 MENS	REV A
SCALE	SHEET	