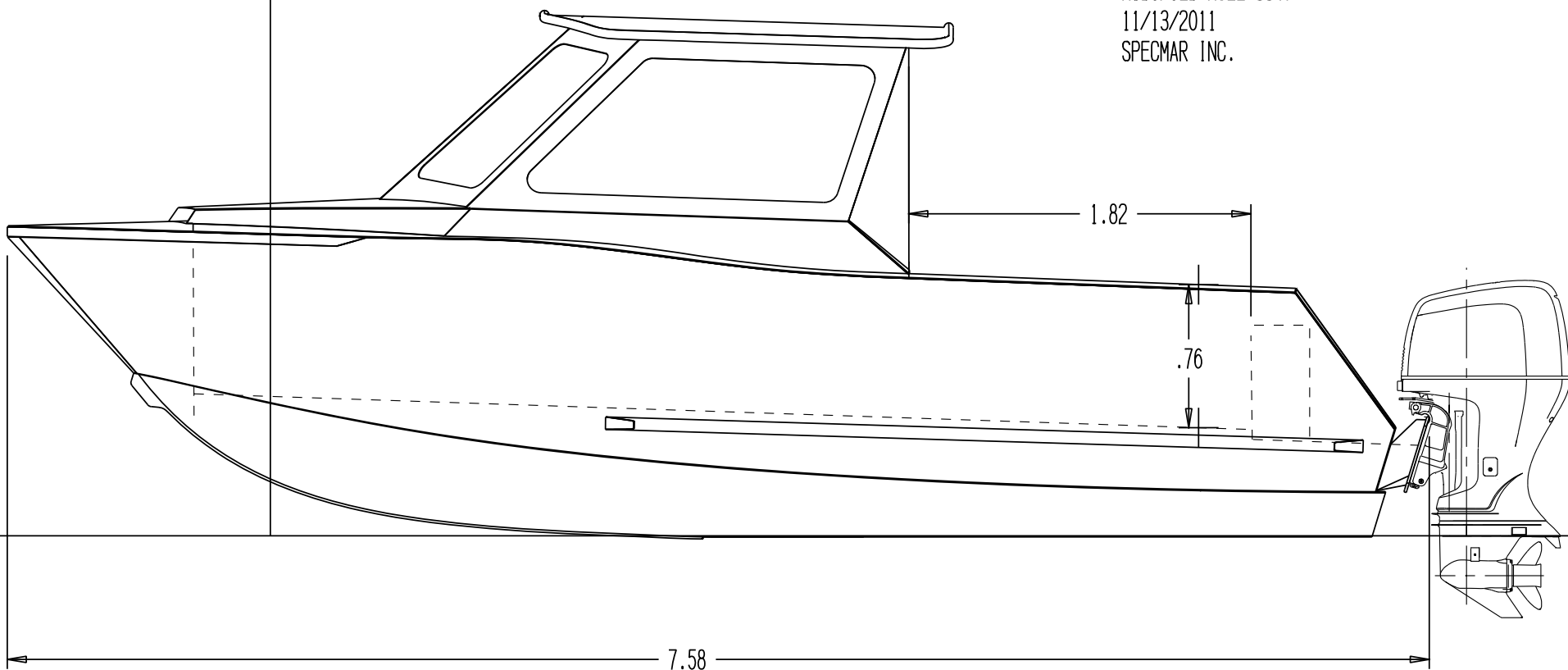


2.46

7.6.X 2.5 ORCA
MODIFIED HULL 1147
11/13/2011
SPECMAR INC.



1.82

.76

7.58