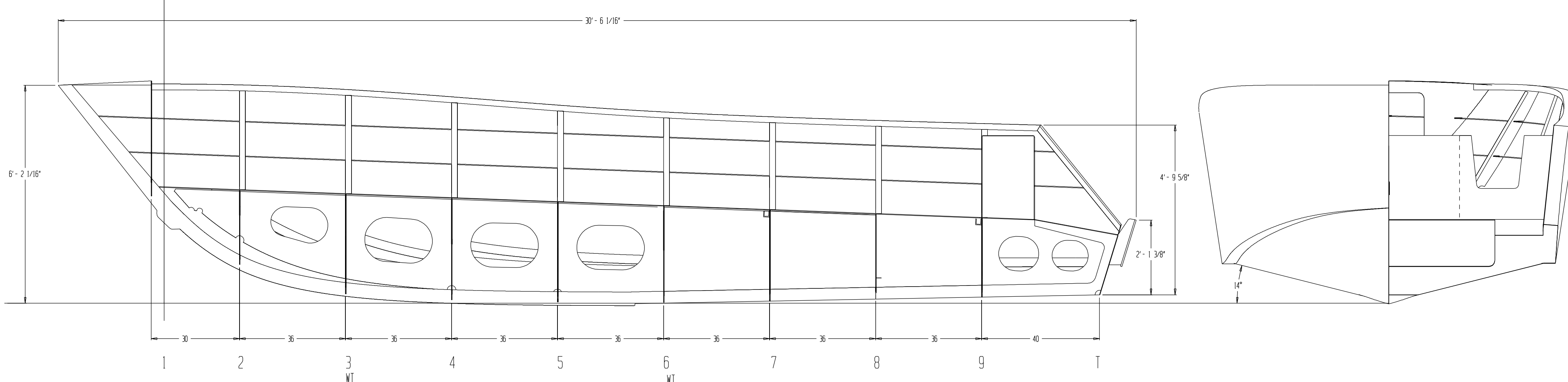
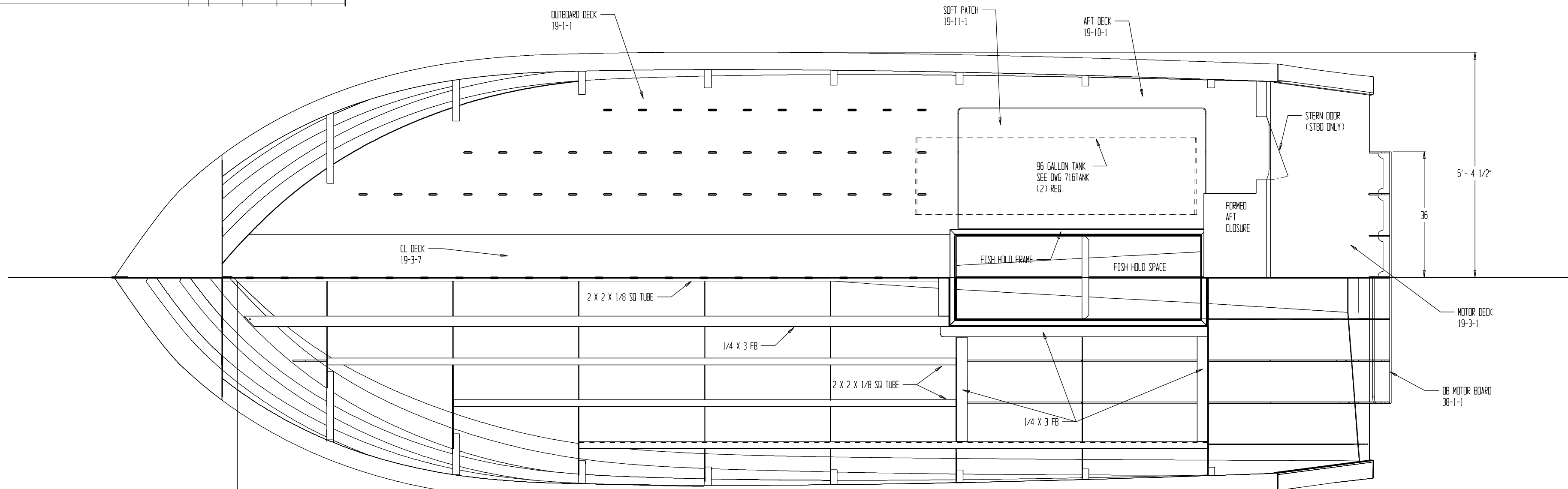
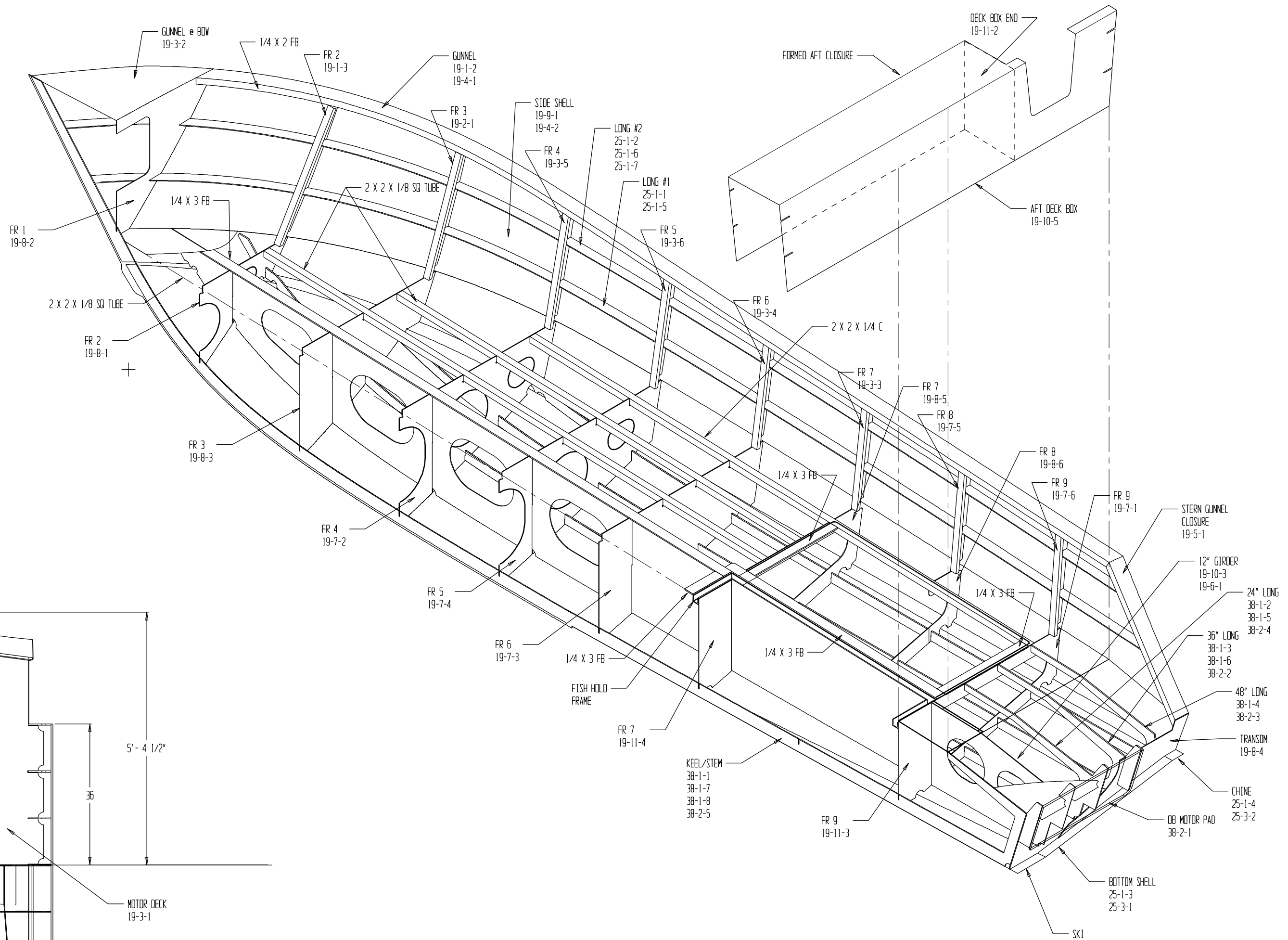
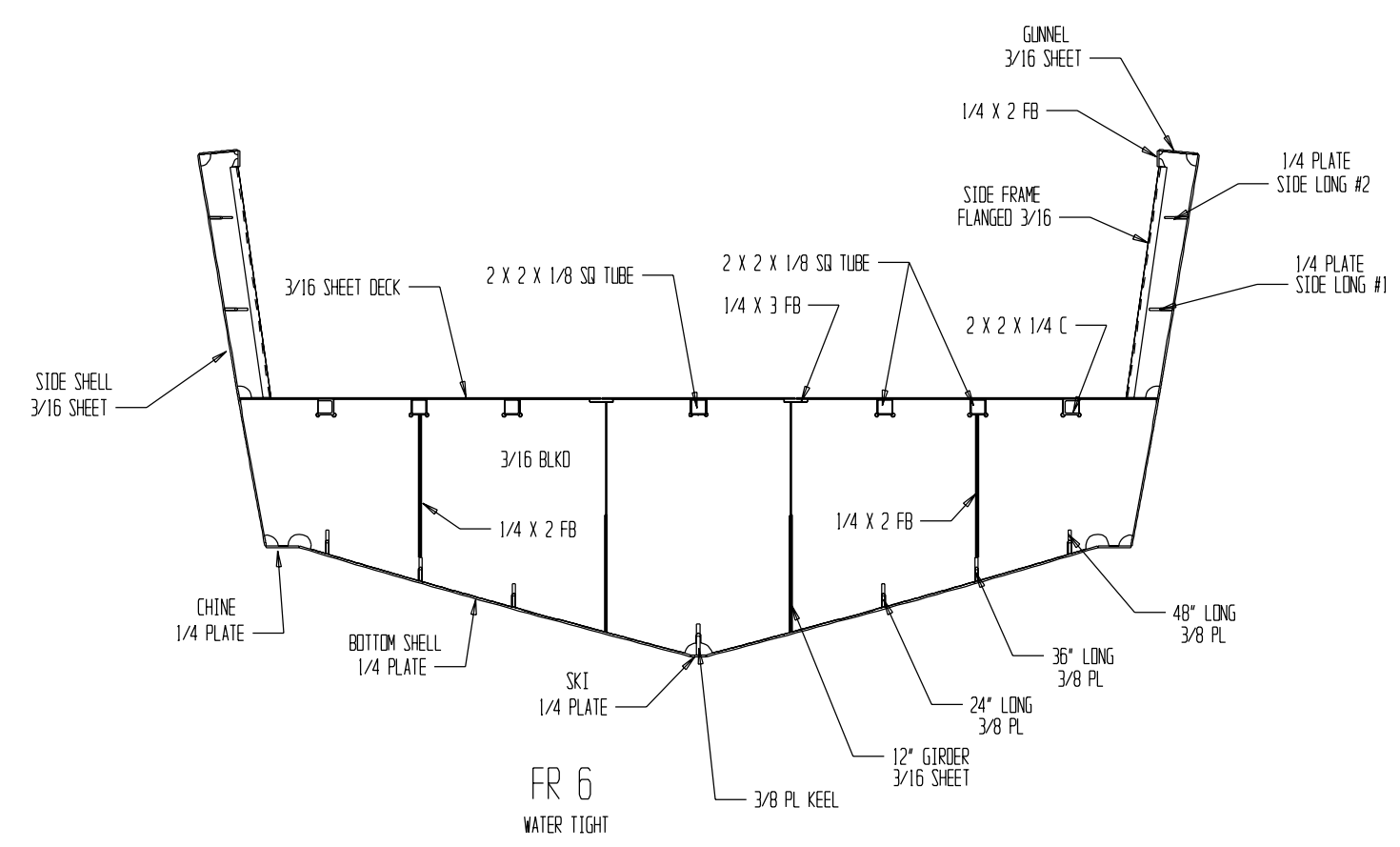


ITEM	DESCRIPTION	QUANTITY	UNIT WT.	TOTAL WT.	UNIT COST	TOTAL COST
1	.19 x 48 x 240 5052	1	2.658	212.7		
2	.19 x 60 x 240 5052	7		1860.6		
3	.19 x 84 x 240 5052	1		372.1		
4	.19 x 60 x 300 5052	1		332.3		
5	.19 x 60 x 144 5052	1		159.5		
6	.25 x 72 x 240 5086	3	3.456	1244.2		
7	.25 x 48 x 300 5052	1		345.6		
8	.375 x 48 x 240 5086	1	5.184	414.7		
9	.375 x 60 x 96 5086	1		207.4		
PLATE WEIGHT				5148.5		
10	1/4 X 3 FB X 20" 6061	3	0.882	52.9		
11	1/4 X 2 FB X 20" 6061	2	0.57	22.8		
12	2 X 2 X 1/4" X 20" 6061	2	1.634	65.4		
13	2 X 2 X 1/8" SD TUBE X 20" 6061	4	1.103	88.2		
TOTAL EXTRUSIONS				229.3		
TOTAL SHEET & EXTRUSIONS				5377.8		
NET WEIGHT, CUT PLATE				3436		



ALL DESIGN MATERIALS REMAIN THE PROPERTY OF SPECIALTY MARINE WHETHER WORK FOR WHICH THEY ARE MADE BE CONSTRUCTED OR NOT, AND POSSESSION OF ANY OF THESE MATERIALS DOES NOT CONSTITUTE AUTHORITY FOR CONSTRUCTION. REPRODUCTION OR DUPLICATION OF ANY MATERIAL HEREIN IN ANY FORM IS A VIOLATION OF COPYRIGHT UNLESS AUTHORIZED WITH WRITTEN PERMISSION FROM SPECIALTY MARINE.

SPECIALTY MARINE
 PD Box 1081, Seppooose, DR, 97056

30 X 10' 9" DRCA
 GENERAL ARRANGEMENTS

SCALE 1/2"=1'0"

SIZE FSCM NO. DWG NO. 716VIEWS REV

SHEET