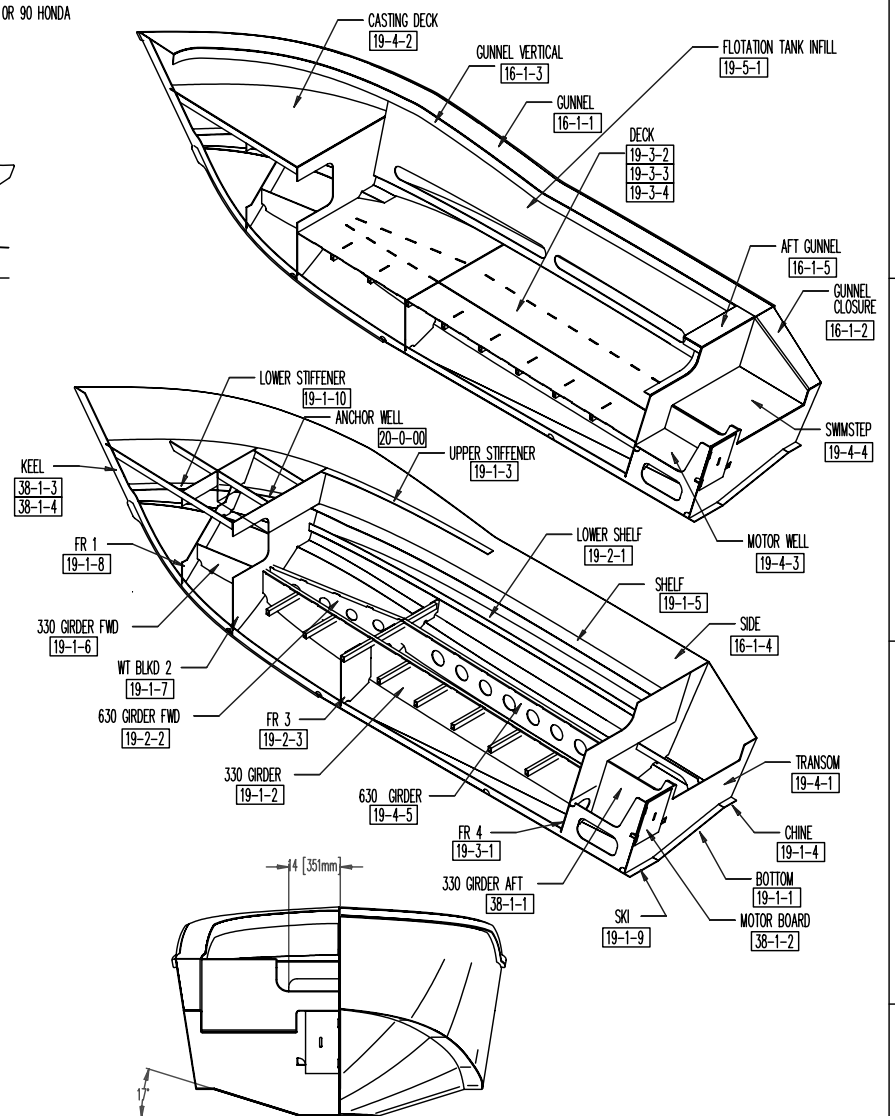
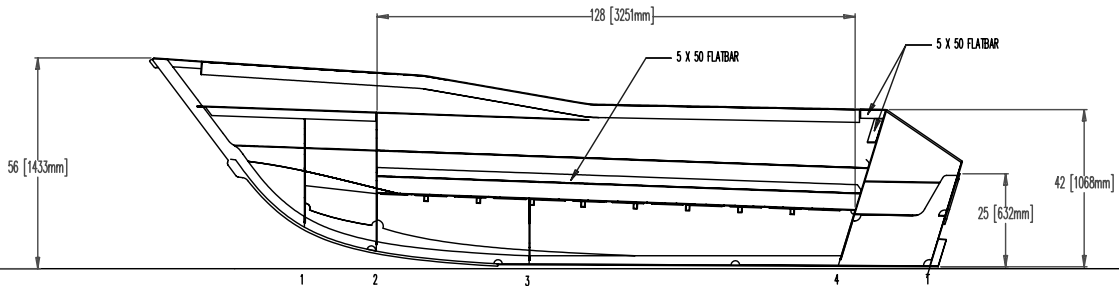
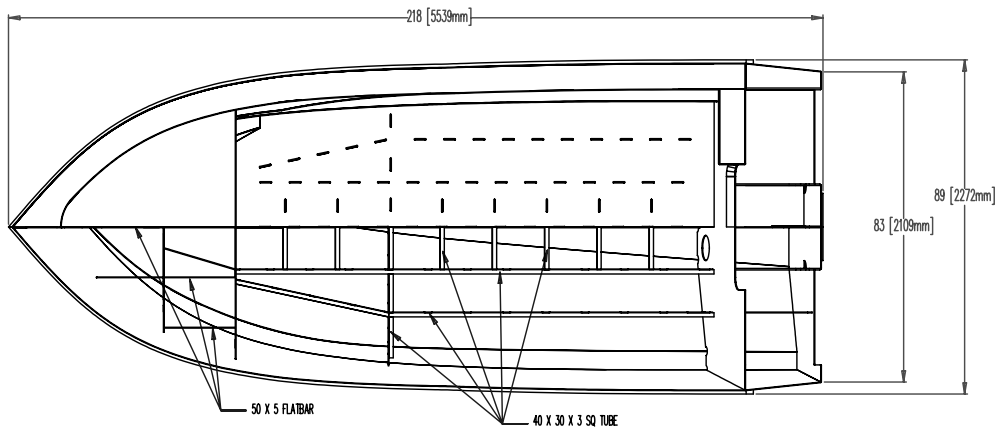


BASELINE



06 / 08 / 2009

THESE PLANS, ACCOMPANYING INSTRUCTIONS, AND/OR SPECIFICATIONS, GRANT THE PURCHASER OR CLIENT OF RECORD RIGHTS TO BUILD ONE BOAT THEREFROM. ALL DESIGN MATERIALS REMAIN THE PROPERTY OF SPECIALTY MARINE. WHETHER WORK FOR WHICH THEY ARE MADE BE CONSTRUCTED OR NOT, AND POSSESSION OF ANY OF THESE MATERIALS DOES NOT CONSTITUTE AUTHORITY FOR CONSTRUCTION. REPRODUCTION OR DUPLICATION OF ANY MATERIAL HEREIN IN ANY FORM IS A VIOLATION OF COPYRIGHT UNLESS AUTHORIZED WITH WRITTEN PERMISSION FROM SPECIALTY MARINE.

© COPYRIGHT

SPECIALTY MARINE
PO Box 1081, Scappoose, OR, 97056

5.5 M X 2.3 M ORCA 2C RESTRICTED, 1 D, 1 E
PORFILE AND PLAN

SIZE	FSCM NO.	DWG NO.	1328 VIEWS	REV	A
SCALE 1:16			SHEET		